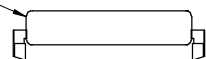
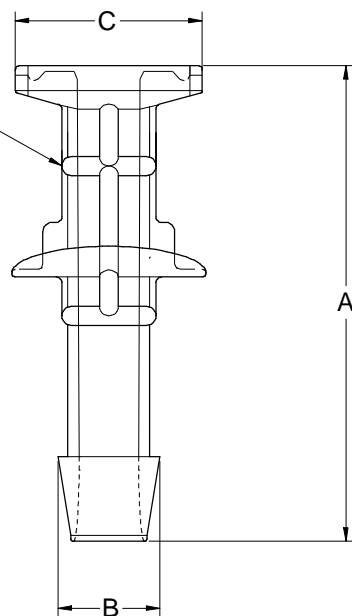


| REVISIONS INDICATED BY 1 ▲ | | | |
|----------------------------|------|------|-------|
| REV | DATE | DDR# | TITLE |
| | | | |

Mini Gasket, medical grade silicone, USP Class VI, p/n DWG-0014, REV B.



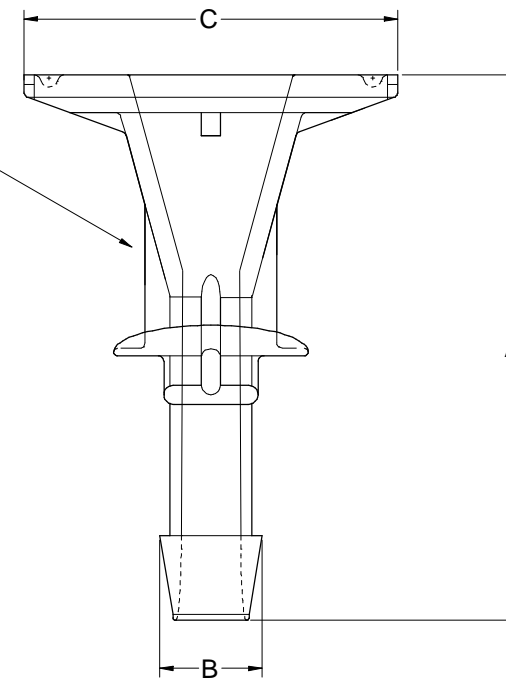
SterilEnz-2AT Fitting, Mini Sanitary Polypropylene



1"/1.5" Gasket, medical grade silicone, USP Class VI, p/n 0008



SterilEnz-2AT Fitting 1"/1.5" Sanitary Polypropylene



NOTES:

- 1) NO CONTAMINATION PERMITTED, VIRGIN MATERIAL ONLY.
- 2) NO PARTING LINE PERMITTING ON FLUID SEALING SURFACES
- 3) PARTS MUST BE MOLDED AND ASSEMBLED IN A CLEANROOM ENVIRONMENT
- 4) ALL GASKETS COME PREINSTALLED ON FITTINGS.

| Part Number | Description | Dim A | Dim B | Dim C |
|----------------|------------------------------|-------|-------|-------|
| 2AT-408-TC-10 | 1/4" HB x Mini-TC, w/ gasket | 2.3 | 0.37 | 0.98 |
| 2AT-608-TC-10 | 3/8" HB x Mini-TC, w/ gasket | 2.53 | 0.502 | 0.98 |
| 2AT-812-TC-10 | 1/2" HB x Mini-TC, w/ gasket | 2.99 | 0.66 | 0.98 |
| 2AT-416-TC-10 | 1/4" HB x 1"/1.5", w/ gasket | 2.6 | 0.37 | 1.98 |
| 2AT-616-TC-10 | 3/8" HB x 1"/1.5", w/ gasket | 2.9 | 0.502 | 1.98 |
| 2AT-816-TC-10 | 1/2" HB x 1"/1.5", w/ gasket | 3.04 | 0.66 | 1.98 |
| 2AT-1216-TC-10 | 3/4" HB x 1"/1.5", w/ gasket | 3.04 | 1.00 | 1.98 |

UNLESS OTHERWISE SPECIFIED:

1. ALL DIMENSIONS ARE IN INCHES
2. DO NOT SCALE DRAWING
3. REMOVE ALL BURRS AND SHARP EDGES TO .015 MAX.
4. MACHINED SURFACE TO BE 125 MICRO-INCHES

5. TOLERANCES ON:
XX DECIMALS P.02
XXX DECIMALS P.005
ANGLES:

| DRAWN BY | DATE | DWG NO | REV | SHEET | SCALE | SHEET SIZE |
|--|------------|----------|-----|--------|-------|------------|
| B. Willemstyn | Aug 19, 09 | DWG-0036 | 1 | 1 OF 1 | | A |
| TITLE | | | | | | A |
| SterilEnz-2AT Fittings - Polypropylene 1/4", 3/8", 1/2" , & 3/4" HB x Sanitary Flange | | | | | | A |

THIS DRAWING AND THE INFORMATION CONTAINED HEREIN ARE CONFIDENTIAL AND PROPRIETARY TO PAWBIO SCIENCE AND ARE TO BE USED ONLY FOR PURPOSES FOR WHICH THEY ARE FURNISHED AND ARE NOT TO BE COPIED, REPRODUCED, DUPLICATED, OR DISCLOSED TO OTHERS IN WHOLE OR IN PART WITHOUT THE PRIOR WRITTEN CONSENT OF PAWBIO SCIENCE, INC.



PAW BioScience Products