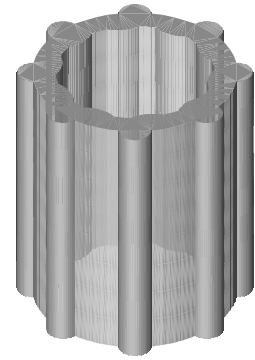
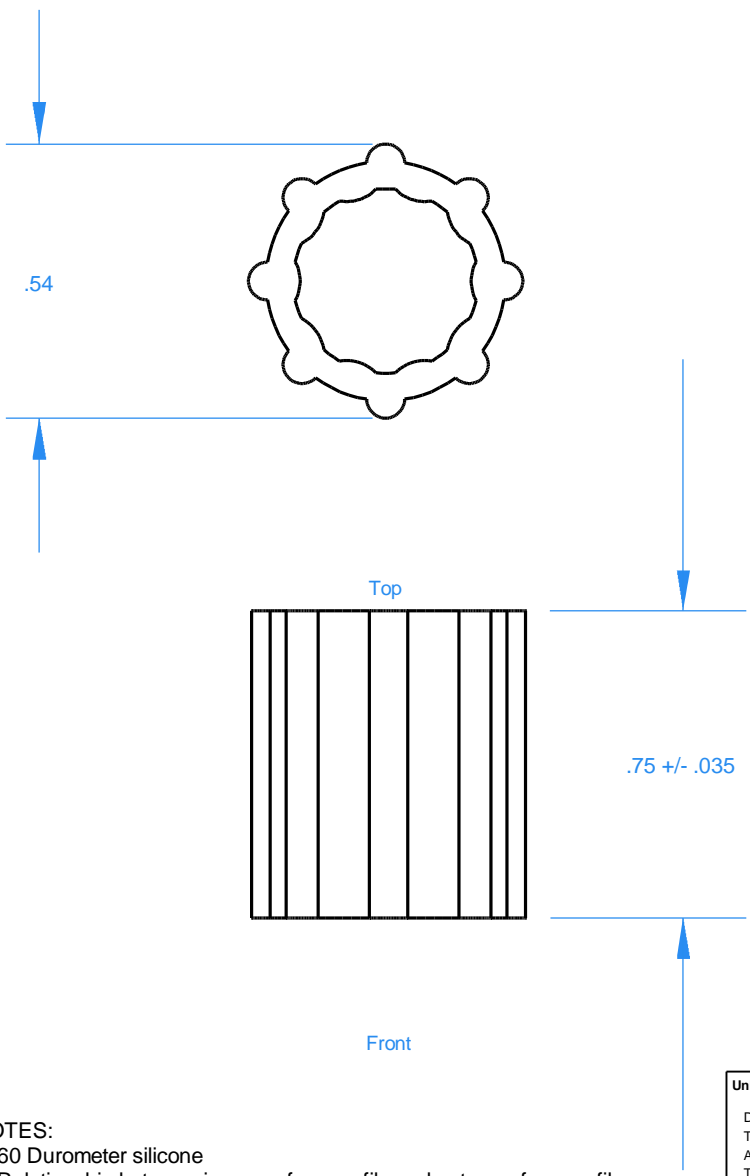
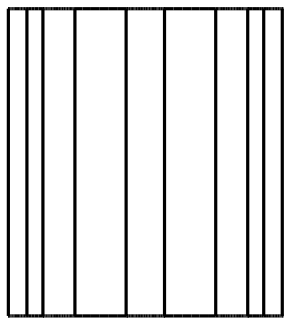


		Revisions			
Zone	Rev	Description		Date	Approved



ISO (Top Front Left)



.54
Right Side

NOTES:
 1) 60 Durometer silicone
 2) Relationship between inner surface profile and outer surface profile can be shifted to accommodate construction of tooling.

Unless Otherwise Specified: Dimensions in Inches Tolerances: Fractional ± Angular: Mach ± Bend ± Two Place Decimal ± .010 Three Place Decimal ± .005	Name	Date	PAW BioScience Products, Inc. SterilEnz Sampler Anti-Slip Boot, Silicone				
	Drawn	BRW				11-Nov-08	
	Checked						
	ENG Appr.						
	MFR Appr.						
Material	Comments CAD Generated Drawing Do Not Manually Update		Size	Drawing No.	Rev		
Finish			A	DWG-0025-A	A		
Do Not Scale Drawing			Scale	1:1	CAD File	Sheet	1 of 1