

SterilEnz



Generation II/AT

Pre-Gasketed Sanitary Flange Fittings Autoclave & Gamma Compatible

SterilEnz®-II/AT Polypropylene BioProcess Connectors are the only sanitary flange fittings that come equipped with a medical grade silicone gasket pre-attached to the fitting face. This feature prevents operators from mis-aligning or dropping gaskets during assembly. The fittings can be sterilized via autoclave or gamma-irradiation. SterilEnz-II/AT fittings work with any standard flange gasket as well. Simply remove the pre-attached gasket (no tools required) and install your own. SterilEnz-II/AT fittings provide the following benefits:

- ✓ **Validation:** Pre-attached gaskets are intended for single-use and are discarded with the fitting. Therefore cleaning validation & potential cross contamination issues are eliminated.
- ✓ **Convenience:** The built-in sterile gasket saves time, money & eliminates gasket preparation by the end-user.
- ✓ **Handling:** Our gaskets cannot be mis-aligned or dropped by operators during assembly. This feature eliminates leaks and potential contamination issues.

Quality & Integrity by Design

All components are USP Class VI Compliant and ADCF (animal derived component free). SterilEnz-II/AT fittings are suitable for sterilizing via gamma irradiation or autoclave.



Pre-Attached Gaskets

1/2" SterilEnz-II/AT shown assembled with Barb-Lock® 501-Series Retainer.



PAW BioScience

Products for the BioTech & BioPharmaceutical Manufacturing Industries



Generation II/AT

Technical Specifications

SterilEnz-II/AT Connectors & Gaskets have been qualified under the most stringent test regimes. Biological, chemical and physical tests provide users of SterilEnz-II/AT connectors with data representing a variety of processing conditions. All testing was performed on finished articles POST-autoclave and gamma processing.

SterilEnz-II/AT Connectors are tested for compliance to:

USP <87>: Cytotoxicity, MEM Elution, in vitro

USP <88>: Class VI Biological reactivity tests, in vivo

USP <661>: Physicochemical Test for Plastics

USP <1207>: Sterile Product Packaging - Hose Barb Integrity Evaluation, via microbial immersion

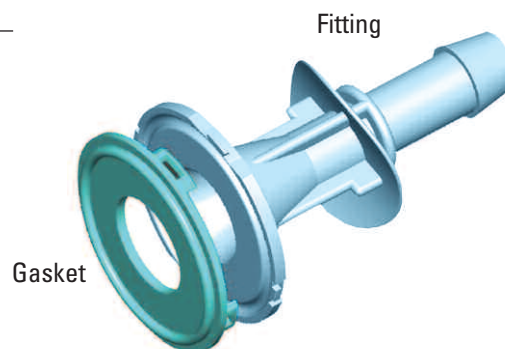
ASTM F756-00 : Rabbit Blood Cell Hemolysis

SterilEnz-II/AT are certified ADCF (animal derived component free).

All SterilEnz-II/AT products are assembled inside a certified ISO 5 (Class 100) environment to insure they are free from contamination.

Materials of Construction

Part	Material
Fitting	Virgin Polypropylene
Gasket	Silicone, medical grade



Ordering Information

Part Number	Hose Barb	Flange	Qty/Case	Pressure Rating*	Operating Temp Range	Gamma Cycle	Autoclave
2AT-408-TC-10	1/4"	Mini	10	75 psi	-20C to 75C	25-40kGy	123C for 30 min.
2AT-608-TC-10	3/8"	Mini	10	75 psi	-20C to 75C	25-40kGy	123C for 30 min.
2AT-812-TC-10	1/2"	Mini	10	75 psi	-20C to 75C	25-40kGy	123C for 30 min.
2AT-416-TC-10	1/4"	1"/1.5"	10	75 psi	-20C to 75C	25-40kGy	123C for 30 min.
2AT-616-TC-10	3/8"	1"/1.5"	10	75 psi	-20C to 75C	25-40kGy	123C for 30 min.
2AT-816-TC-10	1/2"	1"/1.5"	10	75 psi	-20C to 75C	25-40kGy	123C for 30 min.
2AT-1216-TC-10	3/4"	1"/1.5"	10	75 psi	-20C to 75C	25-40kGy	123C for 30 min.

*Maximum operating pressure at ambient temperature.

Member of BPSA 

Bio-Process Systems Alliance
Advancing Single-Use Worldwide

U.S. & International Patents Pending.

SterilEnz is a registered trademark of

PAW BioScience Products, Inc. All rights reserved 2010

Barb-Lock® is a registered trademark of Saint-Gobain Corporation, they assume no responsibility for any loss in conjunction with use of this product.



PAW BioScience

Products for the BioTech & BioPharmaceutical Manufacturing Industries
28 Eaton Road • Eatontown, NJ 07724
www.pawbio.com



Call now 732-460-0088