

BioClamps™

High Quality Plastic Sanitary Clamps

Nylon Construction: Rugged & Economical

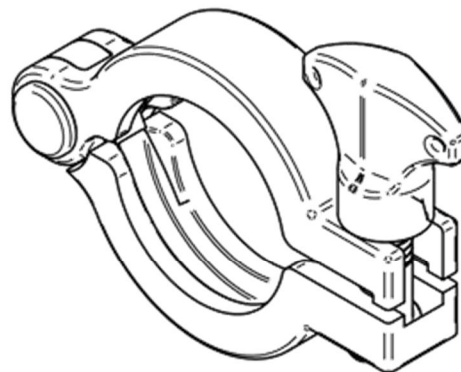
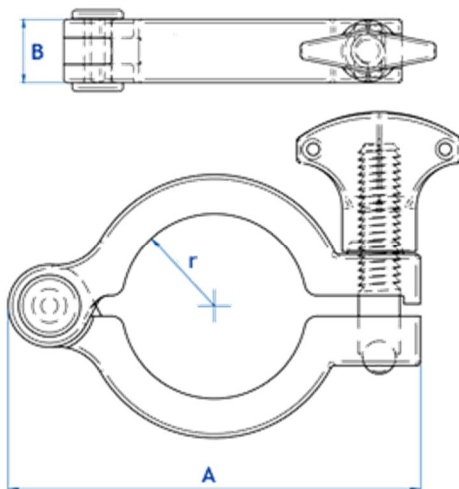
BioClamps are a patented plastic sanitary flange clamp specifically designed to meet the needs of busy pharmaceutical and bioprocessing laboratories or GMP facilities. The clamps are widely in use throughout the biotechnology and pharmaceutical manufacturing industries. They are both autoclaveable and gamma irradiation stable. Some of the features and benefits of the BioClamp are listed below:



- ✓ Class VI Approved: Molded from USP Class IV compliant plastic
- ✓ Less Stressful: Plastic BioClamps dissipate heat & reduce the distortion on polymeric flanges
- ✓ Reusable: Tough enough to be used repeatedly, economic enough for single-use disposal
- ✓ Sterilizable: Bio-Clamps can be autoclaved, up to 135C
- ✓ Gamma-Stable: For use in irradiated disposable systems. BioClamps subjected to 60 kGy (6Mrad) showed no detectable weakening
- ✓ Lightweight: Can be used around delicate equipment with less chance of damage

Clamp Dimensions

Size	Part Number	Dim A	Dim B	Dim r	Max psi
0.5"/0.75"	NG075WHT	2.17" (55)	.749" (19)	.394" (10)	150 psi
1"/1.5"	NG150WHT	3.94" (100)	.749" (19)	.886" (22.5)	150 psi
2"	NG200WH	4.64" (118)	.749" (19)	1.26" (32)	150 psi
2.5"	NG250WH	5.20" (132)	.749" (19)	1.497" (38)	150 psi
3"	NG300WH	5.75"(146)	.749" (19)	1.773"(45)	150 psi
4"	NG400WH	6.66"(169)	.749" (19)	2.25" (57)	150 psi



NOTES:
 1. NO CONTAMINATION ALLOWED.
 2. MAXIMUM SPLIT LINE FLASH 0.2 mm.
 3. INJECTION GATE MARK TO BE TRIMMED FLUSH.